

Description

With the GEMÜ type 1215 electrical position indicator one position of the valve can be indicated.

Construction

The GEMÜ type 1215 electrical position indicator is designed so that it may be mounted onto the actuator of GEMÜ valves by insertion into the actuator's threaded socket.

The type 1215 contains a micro switch with snap action contact mechanisms designed for up to 10^6 switching operations. The silver contacts are gold plated.

In connection with GEMÜ valves the electrical position indicator produces a signal which indicates the valve position 'open'. With type 667 the valve position 'closed' is indicated.

The cable head can be rotated through 360°. Electrical connection is through a type PG 11 screwed conduit fitting.

A red visual indication is given in addition to the electrical end position signal.

The electrical position indicator is suitable for use at ambient temperatures of -15°C to $+55^{\circ}\text{C}$.

Protection class: IP 65 (when mounted)

Contact ratings:

AC ratings

Voltage 250 V a.c.

Resistance 4 A

DC ratings

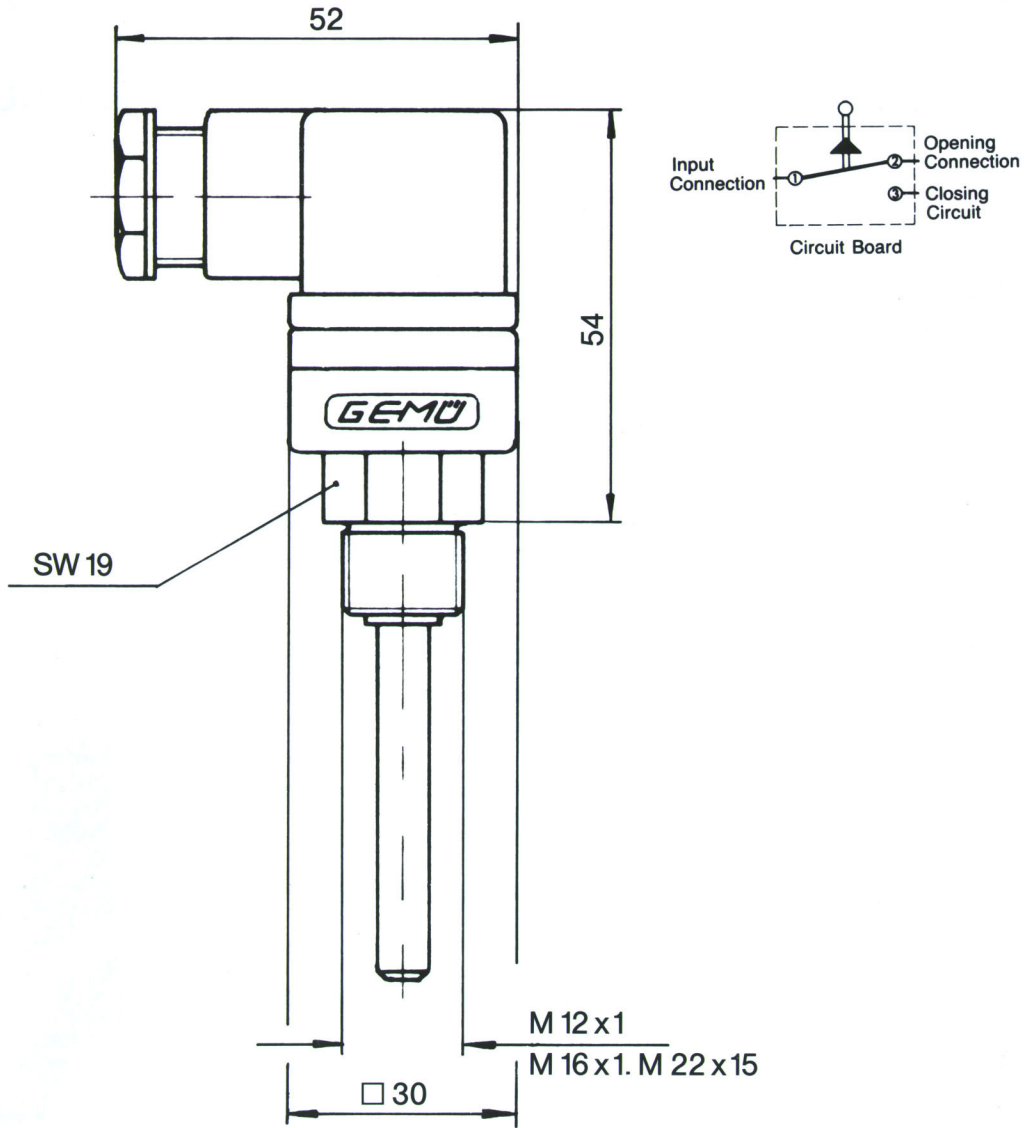
Voltage 24 V d.c.

Resistance 4 A

Inductive duty 0.6 A



Type 1215



Recommended cross section dimension of cable: 0.75 ∇

When ordering, please give the complete valve type key.
e. g. type 1215 to be fitted to valve type 690/20/D 0114-1



GEMÜ® VALVES, ACTUATORS
AND CONTROL SYSTEMS