

Electrical Position Indicator

Type 1232

For open/closed position indication utilizing inductive proximity sensors

Type 1232 offers:

- Easy to fit
- Positive, direct connection of switching rod and valve spindle
- Two inductive proximity sensors with amplifiers as switching units
- Both proximity sensors are continuously and precisely adjustable, independently of each other
- Optional optical LED position indication
- Corrosion-resistant plastic design



- ▶ Can be rotated through 360°
- ▶ Compact design in a solid housing
- ▶ Easy mounting
- ▶ Customer-specified plug and socket connection available as an option
- ▶ The switches are not subject to wear

GEMÜ® VALVES, ACTUATORS
AND CONTROL SYSTEMS

Type 1232 Electrical Position Indicator

Technical specifications

Switching contacts

Operating voltage
 Rated voltage U_B
 On-load current
 Power consumption of the unit (damped)
 Power consumption of the unit (undamped)
 Pressure drop
 Switching frequency
 Setting range of limit switch

Electrical connection

Connection type
 Diameter of cable
 Recommended cross section of wire

Environmental conditions

Protection class
 Ambient temperature

Materials

Housing cover
 Lower part of housing
 Fastening screws

Standard

10 - 30 V DC
 24V DC
 200 mA
 £ 40 mA
 £ 24 mA
 £ 2.5 V
 1 kHz
 20 mm continuous

PG 9
 4.5-7.0 mm
 0.75 mm²

IP 65 DIN 40050
 -20 to +60°C

PSU
 PA
 A2

Option with LED

10 - 30 V DC
 24V DC
 180 mA
 £ 80 mA
 £ 44 mA
 £ 2.5 V
 1 kHz
 20 mm continuous

PG 9
 4.5-7.0 mm
 0.75 mm²

IP 65 DIN 40050
 -20 to +60°C

PSU
 PA
 A2

Order specifications:

Field bus connection	Ref. no.
Without AS-Interface	000 A 1
Function	Ref. no.
OPEN/CLOSED PNP	A30
OPEN PNP	A31
CLOSED PNP	A32
OPEN/CLOSED with LED PNP switching	A10
OPEN with LED PNP switching	A11
CLOSED with LED PNP switching	A12
Switch	Ref. no.
PNP closer	305
<i>Further switches on enquiry</i>	
Electrical connection	Ref. no.
PG 9 cable gland	1001
4-pole Binder plug	1010

Option for field bus connection with AS-Interface

Supply voltage

Operating voltage according to AS-I specification
 Operation with yellow AS-I wire

26.5 ...31.6 VDC

Signal inputs end position

"CLOSED" position AS-I input
 "OPEN" position AS-I input



Port D 1

Port D 0

AS-I interface

Reverse battery protection
 AS-I profile
 I/O code
 ID code
 AS-I certificate

Standard
 S 3.F
 3
 F
 in preparation

Connection

(Operation with yellow AS-I wire)
 Plug and socket connection

AS-plug M12

Accessories

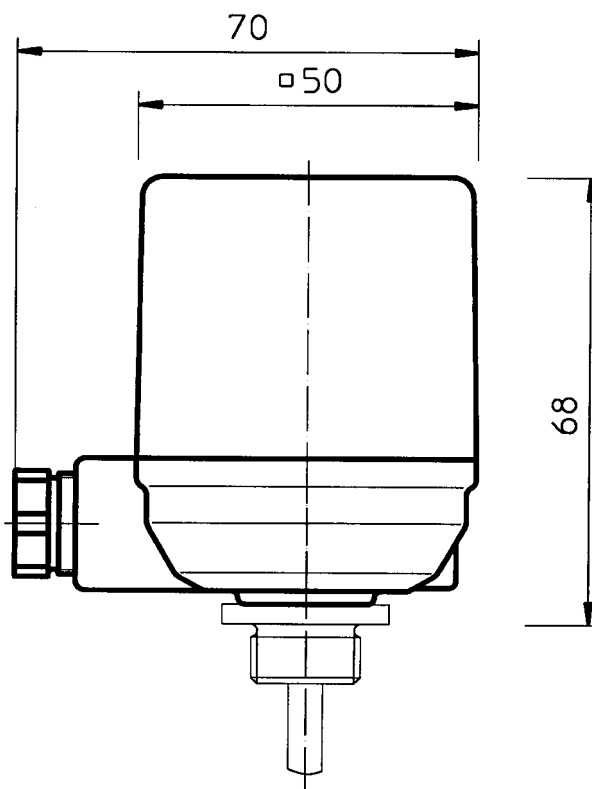
Recomm. mating connector
 Recomm. AS-I cable

GEMÜ type 4180
 GEMÜ type 4170 AZ 01 01 01 00

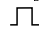
Please order mounting kit separately with reference to the particular valve type.

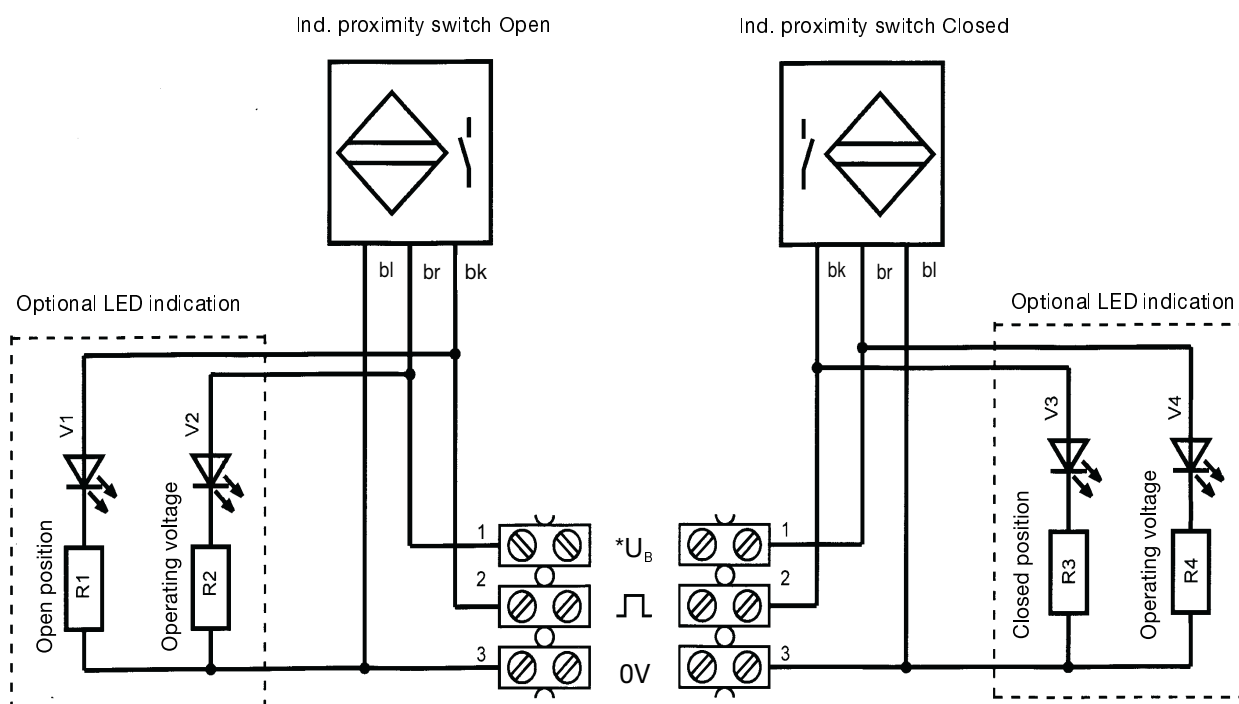
Order example	1232	000	Z	A30	305	1001	303
Type	1232						
Field bus conn. (Ref. no.)		000					
Function (Ref. no.)				A30			
Switch (Ref. no.)					305		
Electr. connection (Ref. no.)						1001	
Connection diagram (Ref. no.)							303

Dimensional drawing



Connection diagram 1232 PNP switching (ref. no. 303)

- *U_B = Operating voltage
-  = Signal output
- 0V = Gnd, 0V





GEMÜ® VALVES, ACTUATORS
AND CONTROL SYSTEMS

